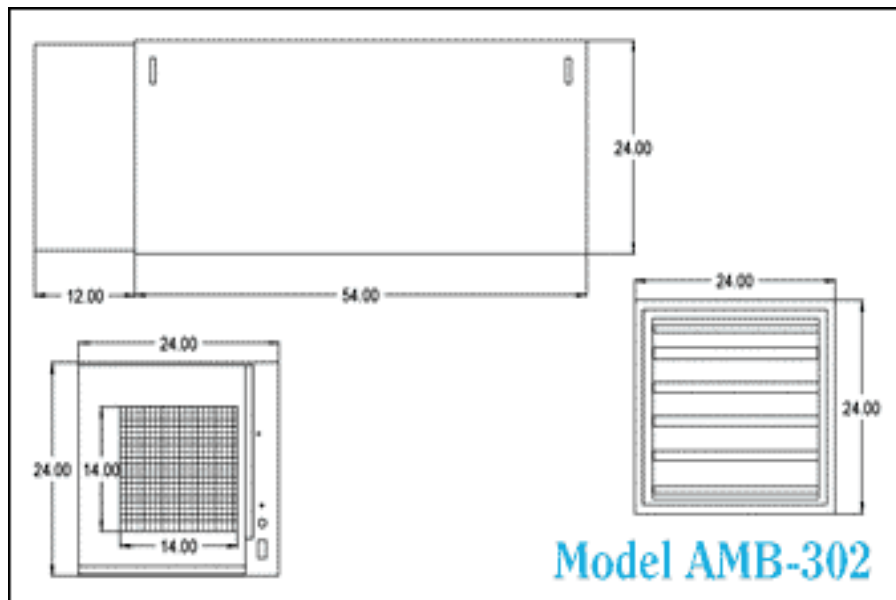


***AirMATION® features 100% capture in meeting the standards of multi-stage filtration to eliminate a wide range of critical contaminants and gaseous pollutants.***

The AirMATION® AMB-302 (below) and the AMARB-302 (next page) utilize an identical progressive internal filtration system and direct drive blower. A full-length swing down panel allows for fast and easy filter replacement.

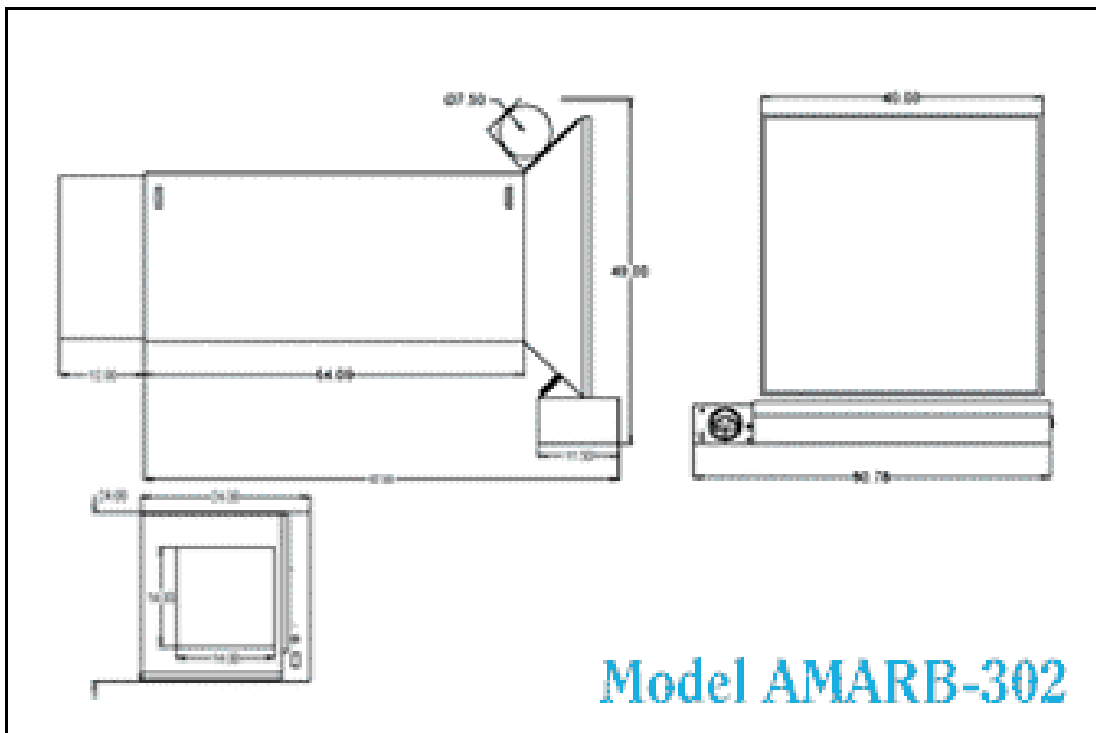


**Diesel Fumes and Contaminants Captured  
and Clean Air Out**



Note: All dimensions are in inches, unless otherwise noted

The AirMATION® AMARB-302 (below) is for high ceiling applications. An optional auto-roll filter can be added for an additional level of filtration. The 200-yard roll filter covers a 40" x 40" area and advances automatically as particulate accumulates.



Note: All dimensions are in inches, unless otherwise noted